

Aluminium Stack-Fence System

MILANO



Original installation instructions



CONTENT

Safety instructions	2
Symbols and pictograms	2
Storage and principles of assembly	3
Preparation for assembly	3
Assembly tools / Required items	4
Mounting the posts	5
General rules for alignment	5
Mounting the profiles	6
Troubleshooting	7
Care and cleaning	7
Waste disposal and environmental protection	7
Warranty conditions	7



Please read these operating instructions completely and carefully. These instructions are part of this product and contain important information on installation and handling. Always observe all safety instructions. If you have any questions or are unsure about the handling, please contact your dealer. Please keep these instructions in a safe place and pass them on to third parties if necessary.

SAFETY INSTRUCTIONS

- Please read these instructions carefully before installation and keep them for future reference.
- Check the packaging and make sure that you have received all the listed parts.
- Do not leave packaging material lying around carelessly. It could be dangerous if played with by children.
- Select a suitable mounting location for your product.
- While preparing the mounting holes, be careful not to drill or dig into any conduits or power cords below the surface.
- If you are unsure about the installation, ask a specialist for advice.

SYMBOLS AND PICTOGRAMS



General warning symbol – Be alert and observe common hazards.
This warning symbol is displayed in conjunction with other signs or symbols.
Failure to observe this warning may result in injury or damage to the product.



Command sign (instead of an exclamation mark, the command may be explained) with information on how to prevent damage.



Indicator with information for better handling of the product.



Action symbol – Read this manual carefully and completely.

STORAGE AND PRINCIPLES OF ASSEMBLY

STORAGE BEFORE INSTALLATION

Before assembly, store all aluminum elements in a dry place, protected from sunlight and at the same temperatures as outside at the assembly site.

- Do not store the elements in an inclined position, but in a horizontal position to avoid bending or breaking.
- The elements should be handled with special care due to the powder coating and their light weight.

GENERAL PRINCIPLES

Materials and properties of aluminum differ from WPC and wood. Only process and use aluminum according to the instructions, otherwise it could cause possible product failure or injury. We are not liable for any consequences resulting from disregarding this instruction develop.

All illustrations and instructions in this guide are for assembly reference only. Any construction work must be in accordance with local laws and building regulations.

At any stage of construction, especially when cutting the elements, please make sure you are equipped with protective clothing and equipment such as goggles, gloves, mask, etc. We are always at your disposal in case of questions or problems.

PREPARING FOR ASSEMBLY

HANDLING



IMPORTANT! Compared to wood and WPC, aluminum has a lower specific weight. Special care must be taken when handling. When handling powder-coated aluminum elements and posts, note that the coating can easily be scratched.

LEGAL INFORMATION



IMPORTANT! Ensure that the erection of the fence is in accordance with local laws and relevant regulations.

ASSEMBLY TOOLS

Standard tools for working:
cordless drill, angle grinder, drill



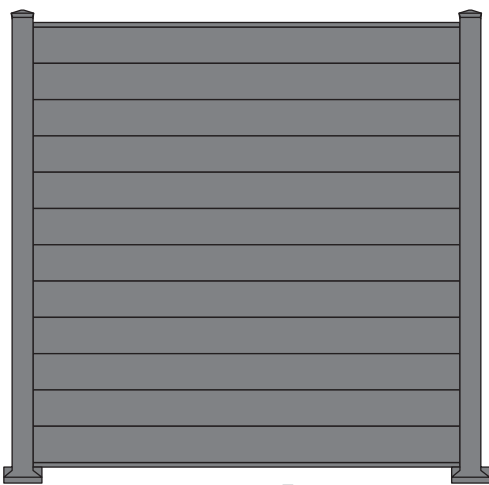
Other assembly tools:

Spirit level, measuring tape, plumb bob, screwdriver, pencil for marking, calculator

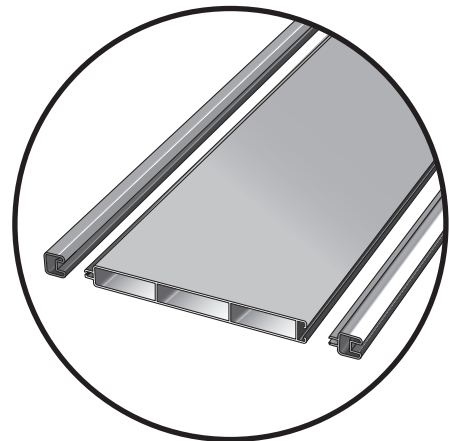


THE MILANO FENCE SYSTEM

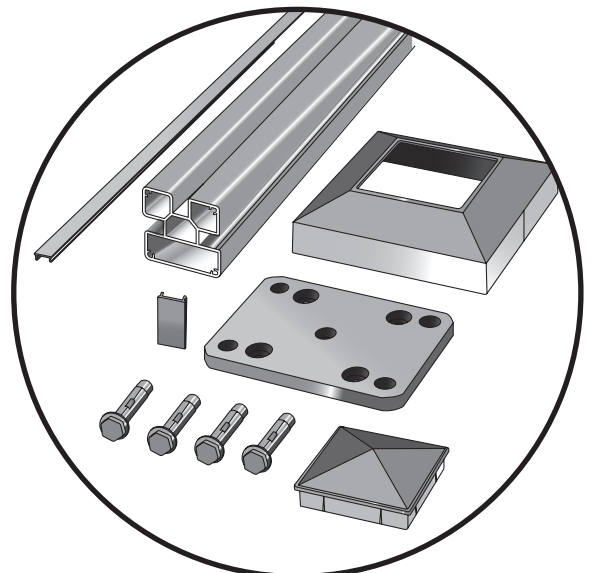
consists of the following sets:



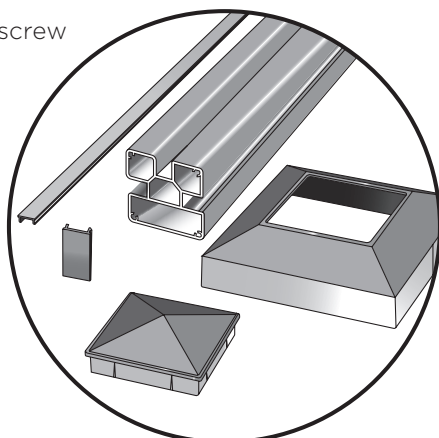
Set 1
12 Aluminium-Elements,
2 pcs start- + endbar



Set 2: Screw-on posts
1 post approx. 76 x 76 x 1864 mm,
2 groove panels, 1 post cap,
1 base plate + 4 screws and
1 floor panel, 1 spacer incl. screw



Set 3: posts to set in concrete
1 post approx. 76 x 76 x 2360 mm,
2 groove panels,
1 post cap,
1 floor panel
1 spacer incl. screw

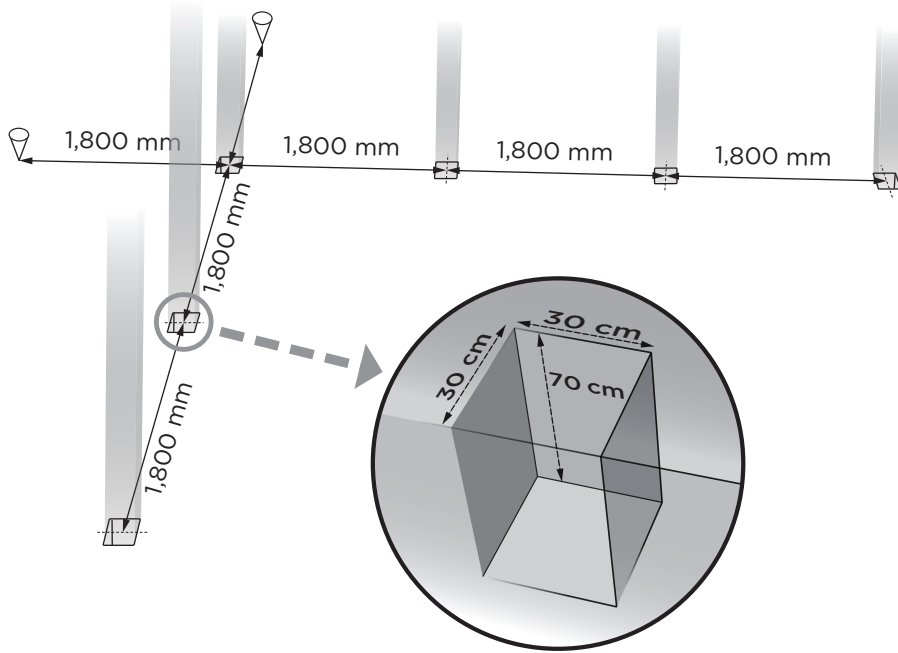


INSTALLATION OF THE POSTS



SET THE COURSE

- Plan and mark the position of the fences, especially the position of the post.
The distance from the center of the post to the center of the post must be 1,800 mm.
- The width of the aluminum elements, which are available in the standard dimensions 1,760 x 150 mm (W x H), can be adjusted by shortening the individual components.
The distance from the middle of the post to the middle of the post changes accordingly.
- The course of the fence can be deflected by 90° at the post.



LAY THE FOUNDATION

When installing on soft ground, it is essential that the posts are cast in concrete, with the size of the concrete-filled post hole being at least 30 x 30 x 70 cm to ensure optimal stability in strong winds.



NOTICE! The aluminum posts should also be anchored in the concrete. For additional anchoring, drill through the post at a depth of approx. 30 cm and insert a threaded rod approx. 25 cm long and embed it in concrete.



DANGER! It is very important to set the posts perfectly vertical and at the correct height before beginning assembly. This lays the foundation for precise assembly and a professional look for your privacy fence.
See item **SET THE COURSE.**

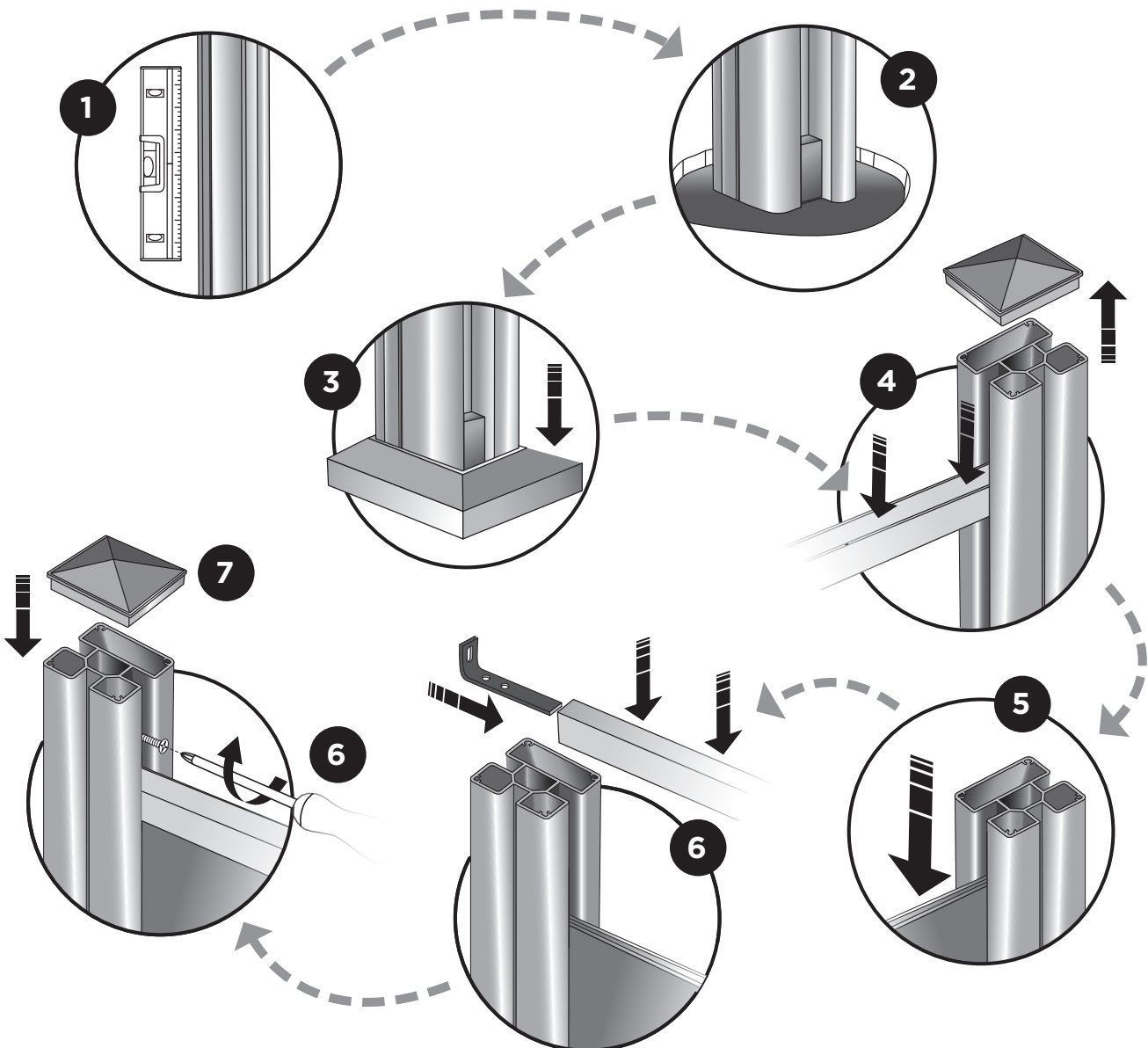


IMPORTANT! We expressly point out that the fence should be mounted in such a way that the starting bar is **at least 5 cm from the ground.**

ASSEMBLY



- 1** First set the posts exactly vertical, at the right height and at the right distance.
Use the length of the start and endbar to determine the correct spacing between the posts.
The distance is 180 cm from the middle of the post to the middle of the post.
- 2** When embedding the posts in concrete, the height of the spacers supplied must be observed.
These must later be inserted into the grooves of the posts and aligned horizontally.
The concrete must be filled to the bottom of the spacers to provide adequate support after the concrete has hardened. Wait for the concrete to set before proceeding to step 3.
- 3** After first temporarily removing the post cap (please don't lose it!), you can start installing the spacer.
The spacers must be fixed at the same height to each other in both posts to ensure horizontal attachment of the elements (minimum distance from the top edge of the spacer to the floor 5 cm). Now the floor panel can be installed.
- 4** You can then start assembling the individual components. To do this, first place the aluminum starter bar with the groove facing up on the spacers in the grooves of the posts.
- 5** Now slide in the first aluminum element. Repeat this process until the desired fence height is achieved.
- 6** Finish at the top with an aluminum end strip with the tongue down and fix it.
- 7** You can then put the post caps back on.
- 8** After assembly, the fence should be cleaned with a suitable aluminum cleaner to remove dirt and production residues.





TROUBLESHOOTING

PROBLEM	PROBLEM CAUSE	SOLUTION
height difference (non-horizontal elements)	Spacer not attached horizontally at the same height.	Check the spacers as specified under assembly (point 3).

CARE AND CLEANING

Our recommendation is twice a year, with water and with the addition of a pH-neutral cleaning agent.

PROBLEM	SOLUTION
Dirt	To remove light dirt (e.g. road dirt, pollen, etc.) from the surface, use clean water with a mild neutral detergent (non-abrasive) and a soft brush or sponge.
Ice and snow	Use a soft brush to remove snow from the fence panel.
Oil and grease	Rinse the affected area quickly with water. Then clean with warm, clean water, neutral detergent (pH value between 5 and 8) and a soft brush.

DISPOSAL AND ENVIRONMENTAL PROTECTION

At the end of its life, dispose of the product in accordance with the applicable legal provisions.

WARRANTY CONDITIONS

This product is covered by statutory warranty.

Claims must be filed as soon as they are established. The right to warranty claims expires in case of interventions by the buyer or third parties. Damage due to incorrect handling or use, incorrect placement or storage, improper connection or installation, as well as due to force majeure or external influences is not covered by the warranty. We recommend that you read these operating instructions carefully as they contain important information.

NOTES:

1. If the product does not work, check that it is being used in line with the intended use.
2. Please enclose the following documents if you are returning a faulty product:
 - Detailed description of the problem.



PRIVACY FENCES MADE OF ALUMINIUM

EASY CARE AND DURABLE

Anthracite matt powder-coated, the aluminum stack-fence is particularly easy to care for and durable. It doesn't rust and does not need to be painted.

Since the aluminum elements and posts can be shortened individually, different heights and widths can be realised. An additional advantage of this aluminum fence compared to other materials is its low weight, which makes it easier to transport and set up.

Our product range includes privacy elements with different design lines from the **ROMA, MADRID** and **IBIZA** series as well as the **TURINO, VERONA** and **LIVORNO** stack-fence systems in various design lines.



For more inspiration from aluminum and WPC, visit us at www.dws-gmbh.de



DWS GmbH
Heidestraße 90
25462 Rellingen, Germany
Fon: +49 (0) 4101 - 84 51 838
Fax: +49 (0) 4101 - 84 51 839
E-Mail: info@dws-gmbh.de